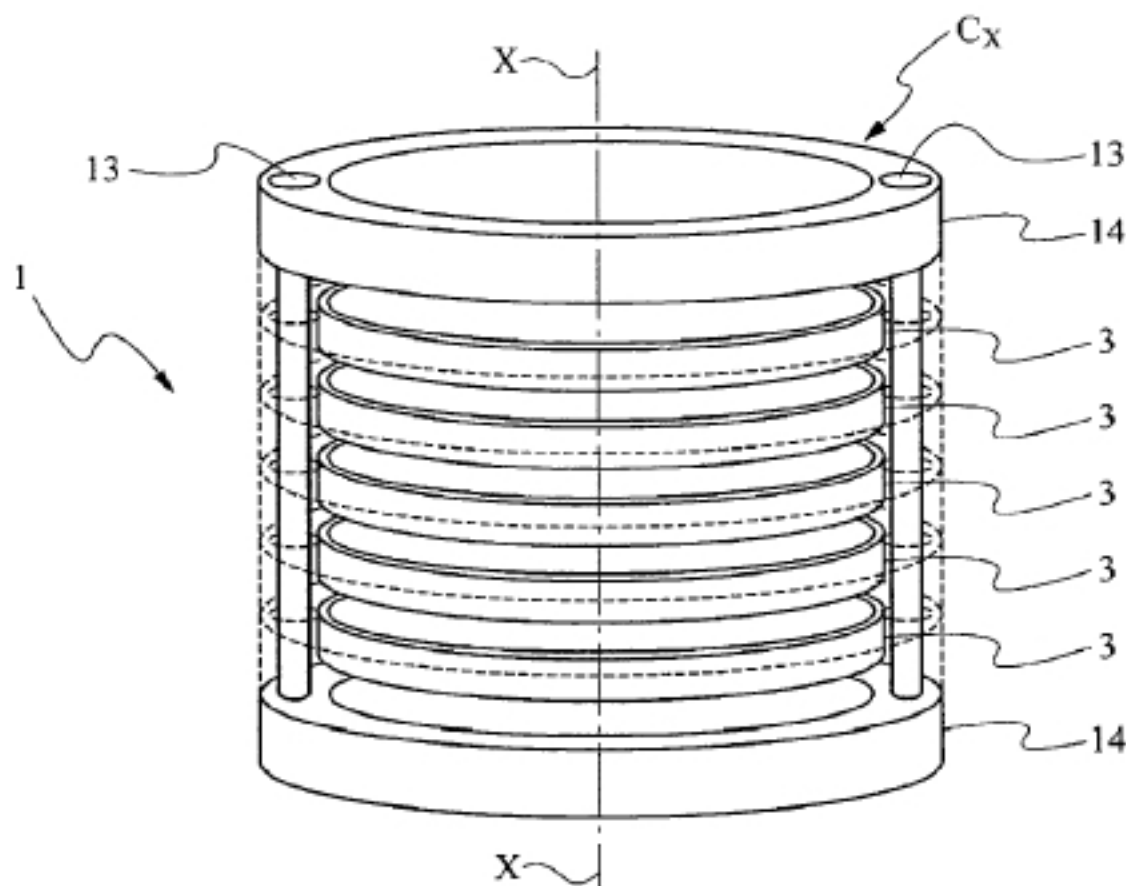




(06) **Date de dépôt PCT/PCT Filing Date:** 2010/07/06
 (87) **Date publication PCT/PCT Publication Date:** 2012/01/12
 (45) **Date de délivrance/Issue Date:** 2017/10/17
 (85) **Entrée phase nationale/National Entry:** 2013/01/04
 (86) **N° demande PCT/PCT Application No.:** IB 2010/001654
 (87) **N° publication PCT/PCT Publication No.:** 2012/004621

(51) **Cl.Int./Int.Cl. G01N 27/22** (2006.01)
 (72) **Inventeur/Inventor:**
 SAMMARTINI, MARCO, CH
 (73) **Propriétaire/Owner:**
 BRY-AIR PROKON SAGL, CH
 (74) **Agent:** BRION RAFFOUL

(54) **Titre : STRUCTURE D'ELECTRODES CAPACITIVE POUR LA MESURE DE L'HUMIDITE**
 (54) **Title: CAPACITANCE ELECTRODE STRUCTURE FOR MEASURING MOISTURE**



(57) **Abrégé/Abstract:**

Device (1) for measuring moisture of materials flowing in the shape of dried, liquid or gaseous granulates, or in the shape of powders in at least one duct disposed at least partially along an axis (X - X) through which the material of which the moisture has to